

# Paper Cassette Type 240 (B643)

## Paper Cassette Type 240 (B643)

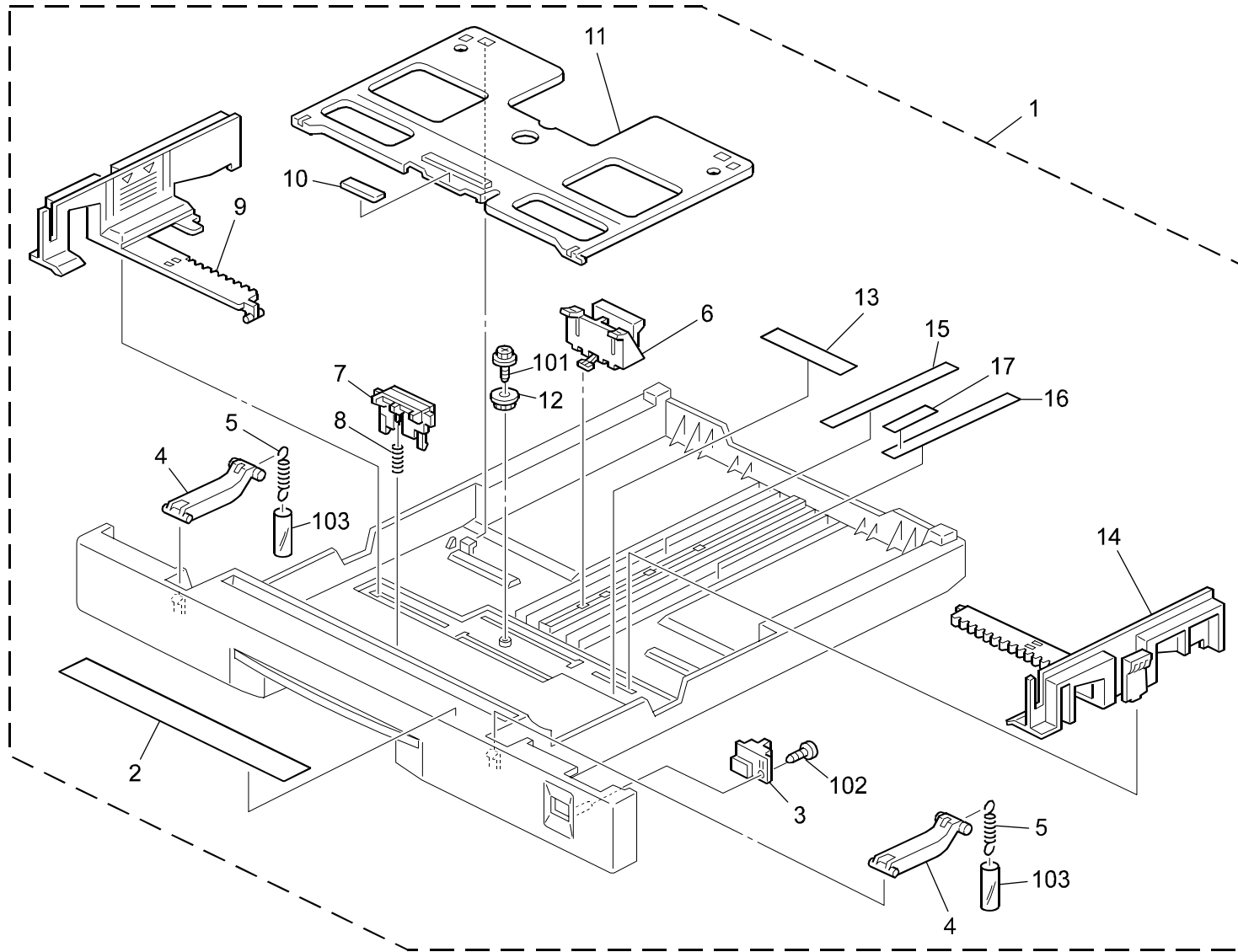
### PARTS CATALOG

This catalog gives the numbers and names of parts on this machine.

1.CASSETTE 1 (B643).....	2
2.CASSETTE 2 (B643).....	4
3.CASSETTE 3 (B643).....	6
<b>PARTS INDEX.....</b>	<b>9</b>

February ,5 ' 2004

# 1.CASSETTE 1 (B643)

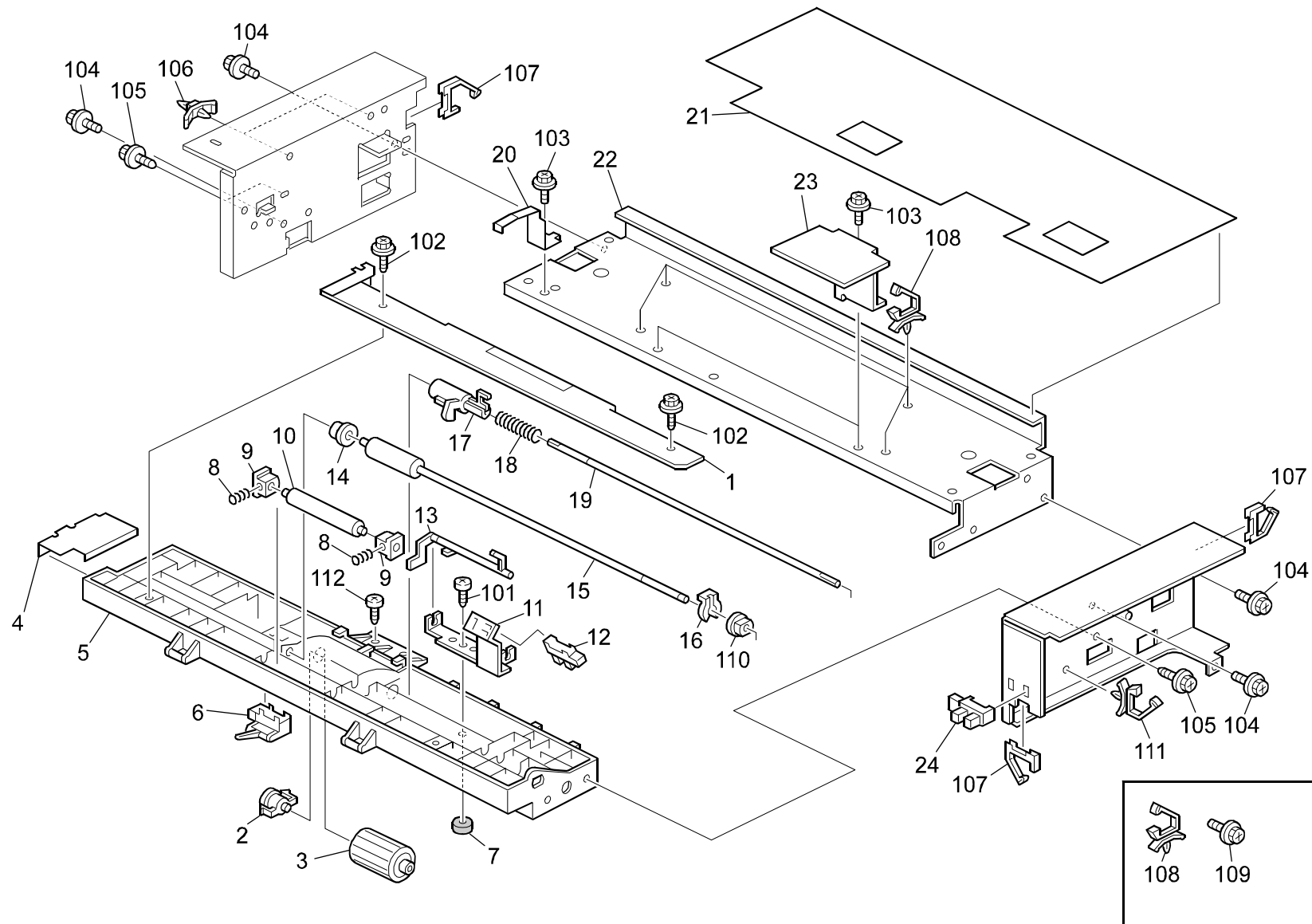


### 1.CASSETTE 1 (B643)

Index No.	Part No.	Description	Q'ty Per Assembly
1	B643 2510	Cassette:Unit	1
2	B643 2775	Decal:Operate:Cassette	1
3	B643 2760	Cassette Sensor Feeler	1
4	G800 3129	Cassette Arm	2
5	G024 3075	Tension Spring	2
6	G024 3064	End Fence	1
7	<b>G030 2575</b>	<b>Friction Pad Ass'y</b>	<b>1</b>
8	G024 3078	Separation Compression Spring	1
9	G024 3062	Left Side Fence	1
10	G800 3149	Base Pad	1
11	G024 3068	Base Plate	1
12	G800 3133	Side Fence Gear	1
13	B643 2772	Decal:Scale:Side Fence	1
14	G024 3060	Right Side Fence	1
15	B643 2770	Decal:Scale:End Fence:Letter	1
16	B643 2771	Decal:Scale:End Fence:A4	1
17	H306 3195	Shield:Spacer:Lock	1

Index No.	Part No.	Description	Q'ty Per Assembly
101	0450 3008B	Tapping Screw - M3x8	
102	0452 3006B	Tapping Screw - M3x6	
103	1106 0202	Tube	

## 2.CASSETTE 2 (B643)

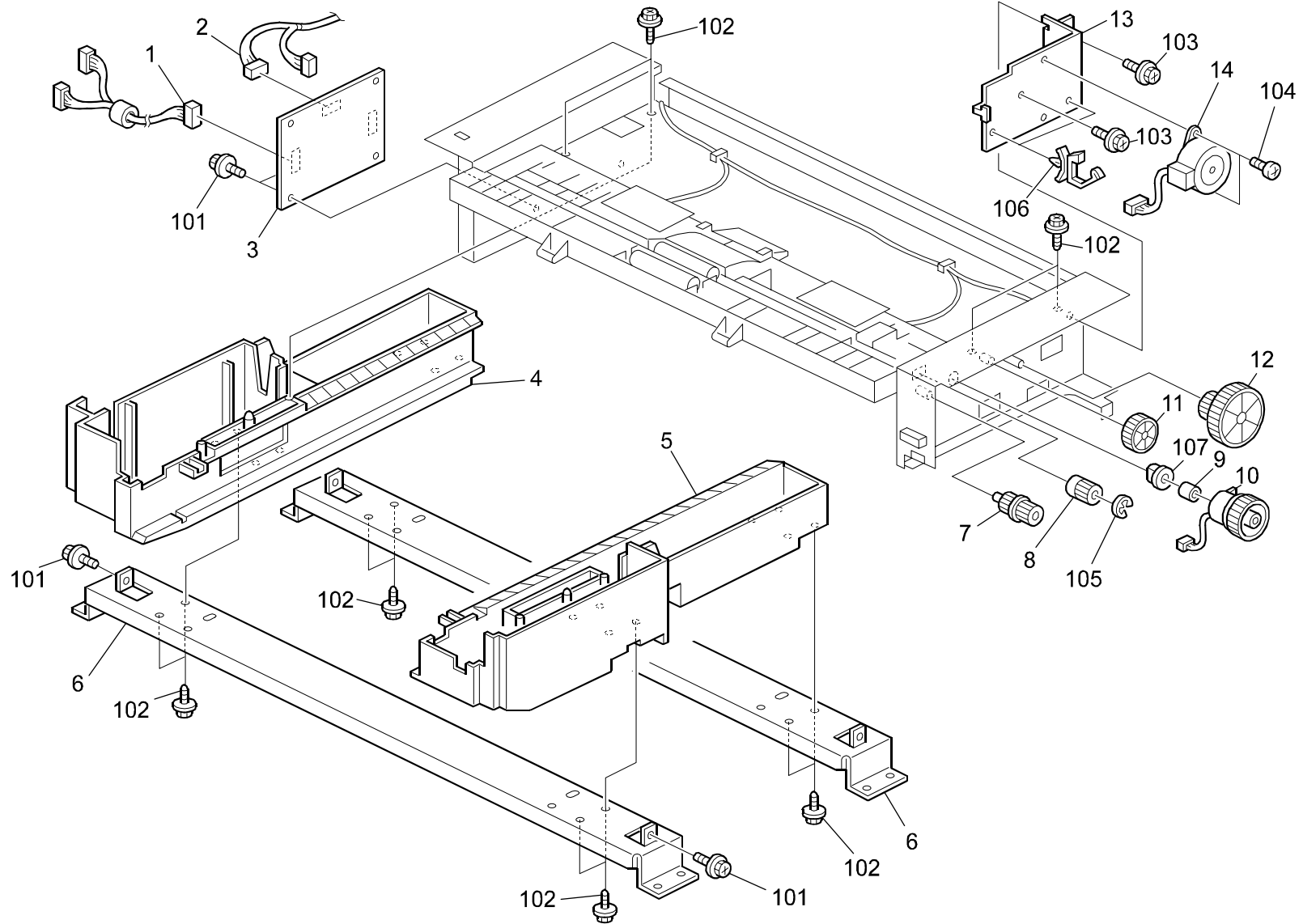


## 2.CASSETTE 2 (B643)

Index No.	Part No.	Description	Q'ty Per Assembly
1	G024 3360	Supporting Plate - Paper Guide Assy	1
2	G800 3017	Bushing	1
3	<b>G800 3011</b>	<b>Paper Feed Roller</b>	<b>1</b>
4	B643 2652	Cover:Ground Plate:Cassette	1
5	G024 3331	Paper Feed Guide	1
6	AW02 0110	Photointerruptor	1
7	H072 2207	Guard	1
8	G024 3335	Compression Spring	2
9	G800 3333	Bushing - M4	2
10	G800 3332	Driven Roller	1
11	G024 1022	Paper Feed Sensor Bracket	1
12	AW02 0056	Photointerruptor - EE-SX4235A-P1	1
13	G024 3022	Paper End Feeler	1
14	5443 2668	Bushing - 4x6x7mm	1
15	B643 2601	Roller:Pull Out	1
16	H521 3355	C Ring - Paper Feed Roller	1
17	G800 3015	Bushing	1
18	G800 3021	Completion Spring	1
19	G024 3010	Paper Feed Roller Shaft	1
20	G024 3015	Grounding Plate	1
21	B643 2653	Cover:Stay:Upper	1
22	B643 2650	Stay:Upper	1
23	B643 2651	Cover:Harness:Cassette	1
24	AW02 0120	Photointerruptor - Flat	1
25	B643 2631	Side Plate:Right:Unit	1

Index No.	Part No.	Description	Q'ty Per Assembly
101	0452 3006B	Tapping Screw - M3x6	
102	0450 3008B	Tapping Screw - M3x8	
103	0802 5276	Tapping Screw With Washer - M3x6	
104	0451 3006B	Tapping Screw - M3x6	
105	0450 4008B	Tapping Screw - 4x8	
106	1105 0160	Clamp	
107	1105 0522	Edge Saddle - LES0510	
108	1105 0516	Clamp	
109	0802 5282	Tapping Screw - M4x8	
110	0805 3480	Bushing - 6mm	
111	1105 0511	Harness Clamp - LWS-0306ZC	
112	0802 5292	Tapping Screw:Round Point:M3x8	

### 3.CASSETTE 3 (B643)



### 3.CASSETTE 3 (B643)

Index No.	Part No.	Description	Q'ty Per Assembly
1	B643 5770	Harness:Dc:Cassette:Connecting	1
2	B643 5771	Harness:Dc:Cassette	1
3	B643 5557	PCB:SFDB	1
4	B643 2711	Slide Rail:Left	1
5	B643 2721	Slide Rail:Right	1
6	B643 2701	Stay:Lower Front	2
7	AB01 7678	Gear - 16/19Z	1
8	AB01 1494	Gear - 16Z	1
9	A109 6425	Brush Roller Spacer	1
10	G024 5457	Paper Feed Clutch - 25NCM	1
11	AB01 1415	Idler Gear - 37Z	1
12	AB01 7679	Gear - 19/100Z	1
13	B643 2641	Bracket:Motor	1
14	H310 5041	Stepper Motor - DC 25W	1

Index No.	Part No.	Description	Q'ty Per Assembly
101	0451 3006B	Tapping Screw - M3x6	
102	0450 3008B	Tapping Screw - M3x8	
103	0802 5276	Tapping Screw With Washer - M3x6	
104	0453 3006B	Tapping Screw - M3x6	
105	0720 0040E	Retaining Ring - M4	
106	1105 0511	Harness Clamp - LWS-0306ZC	
107	0805 3480	Bushing - 6mm	



# Parts Index

## PM Parts Index

Section Name	Part No.	Description in Service Manual	Description in Parts Catalog	Q'ty Per Assembly	Page and Index No.
CASSETTE 1 (B643)	G030 2575	Friction Pad	Friction Pad Ass'y	1	3- 7
CASSETTE 2 (B643)	G800 3011	Feed Roller	Paper Feed Roller	1	5- 3

## Parts Index

Part No.	Description	Page and Index No.
A109 6425	Brush Roller Spacer	7 - 9
B643 2510	Cassette:Unit	3 - 1
B643 2601	Roller:Pull Out	5 - 15
B643 2631	Side Plate:Right:Unit	5 - 25
B643 2641	Bracket:Motor	7 - 13
B643 2650	Stay:Upper	5 - 22
B643 2651	Cover:Harness:Cassette	5 - 23
B643 2652	Cover:Ground Plate:Cassette	5 - 4
B643 2653	Cover:Stay:Upper	5 - 21
B643 2701	Stay:Lower Front	7 - 6
B643 2711	Slide Rail:Left	7 - 4
B643 2721	Slide Rail:Right	7 - 5
B643 2760	Cassette Sensor Feeler	3 - 3
B643 2770	Decal:Scale:End Fence:Letter	3 - 15
B643 2771	Decal:Scale:End Fence:A4	3 - 16
B643 2772	Decal:Scale:Side Fence	3 - 13
B643 2775	Decal:Operate:Cassette	3 - 2
B643 5557	PCB:SFDB	7 - 3
B643 5770	Harness:Dc:Cassette:Connecting	7 - 1
B643 5771	Harness:Dc:Cassette	7 - 2
G024 1022	Paper Feed Sensor Bracket	5 - 11
G024 3010	Paper Feed Roller Shaft	5 - 19
G024 3015	Grounding Plate	5 - 20
G024 3022	Paper End Feeler	5 - 13
G024 3060	Right Side Fence	3 - 14
G024 3062	Left Side Fence	3 - 9
G024 3064	End Fence	3 - 6
G024 3068	Base Plate	3 - 11
G024 3075	Tension Spring	3 - 5
G024 3078	Separation Compression Spring	3 - 8
G024 3331	Paper Feed Guide	5 - 5
G024 3335	Compression Spring	5 - 8
G024 3360	Supporting Plate - Paper Guide Assy	5 - 1
G024 5457	Paper Feed Clutch - 25NCM	7 - 10
G030 2575	Friction Pad Ass'y	3 - 7

Part No.	Description	Page and Index No.
G800 3011	Paper Feed Roller	5 - 3
G800 3015	Bushing	5 - 17
G800 3017	Bushing	5 - 2
G800 3021	Completion Spring	5 - 18
G800 3129	Cassette Arm	3 - 4
G800 3133	Side Fence Gear	3 - 12
G800 3149	Base Pad	3 - 10
G800 3332	Driven Roller	5 - 10
G800 3333	Bushing - M4	5 - 9
H072 2207	Guard	5 - 7
H306 3195	Shield:Spacer:Lock	3 - 17
H310 5041	Stepper Motor - DC 25W	7 - 14
H521 3355	C Ring - Paper Feed Roller	5 - 16

Part No.	Description	Page and Index No.
AB01 1415	Idler Gear - 37Z	7 - 11
AB01 1494	Gear - 16Z	7 - 8
AB01 7678	Gear - 16/19Z	7 - 7
AB01 7679	Gear - 19/100Z	7 - 12
AW02 0056	Photointerruptor - EE-SX4235A-P1	5 - 12
AW02 0110	Photointerruptor	5 - 6
AW02 0120	Photointerruptor - Flat	5 - 24

Part No.	Description	Page and Index No.
0450 3008B	Tapping Screw - M3x8	5 -102
0450 3008B	Tapping Screw - M3x8	3 -101
0450 3008B	Tapping Screw - M3x8	7 -102
0450 4008B	Tapping Screw - 4x8	5 -105
0451 3006B	Tapping Screw - M3x6	5 -104
0451 3006B	Tapping Screw - M3x6	7 -101
0452 3006B	Tapping Screw - M3x6	3 -102
0452 3006B	Tapping Screw - M3x6	5 -101
0453 3006B	Tapping Screw - M3x6	7 -104
0720 0040E	Retaining Ring - M4	7 -105
0802 5276	Tapping Screw With Washer - M3x6	5 -103
0802 5276	Tapping Screw With Washer - M3x6	7 -103
0802 5282	Tapping Screw - M4x8	5 -109
0802 5292	Tapping Screw:Round Point:M3x8	5 -112
0805 3480	Bushing - 6mm	7 -107
0805 3480	Bushing - 6mm	5 -110
1105 0160	Clamp	5 -106
1105 0511	Harness Clamp - LWS-0306ZC	5 -111
1105 0511	Harness Clamp - LWS-0306ZC	7 -106
1105 0516	Clamp	5 -108
1105 0522	Edge Saddle - LES0510	5 -107
1106 0202	Tube	3 -103

Part No.	Description	Page and Index No.
5443 2668	Bushing - 4x6x7mm	5 - 14

Part No.	Description	Page and Index No.